

**/// Network SouthEast**

---

**ALTERATIONS TO SIGNALLING  
AND PERMANENT WAY**

**at**

**CANNON STREET**

---

**19 AUGUST 1991**

---

---

**DRIVERS TO KEEP A GOOD LOOK-OUT FOR HAND SIGNALS**

---

---

No 4 and 5 platforms have been restored to use with connections to/from the slow lines as shown on the diagram on the reverse of this sheet.

# SIGNALLING RECORD SOCIETY

[www.s-r-s.org.uk](http://www.s-r-s.org.uk)

## DIGITAL ARCHIVE

This PDF Copy has been provided free of charge by David Allen in order to assist your research into UK signalling.

This file is one of a number scanned by David Allen using material from his own collection and from the collections of Phil Deaves, Robert Dey, David Ingham, Simon Lowe, John McCrickard, John Midcalf, Roger Newman, Richard Pulleyn and Chris Wolstenholmes. Thank you one and all. Many of the original documents are now in the SRS Archive or at the National Railway Museum.

You may also like to provide copies of Signalling Notices and Weekly (and periodical) Operating Notices as scans or as originals. The SRS is always willing to accept donations of any signalling or signalling related material for inclusion in the Society's Archive. Please contact the [Archivist](#) in the first instance.

For a list of PDFs currently available visit the list of [Weekly](#) Notices or [Signalling](#) Notices page.

If you have benefited from this PDF copy, why not [join](#) the Signalling Record Society and receive support for your researches and access to the Society's Archives

Members receive "The Signalling Record" six times annually plus a newsletter and have the opportunity to purchase SRS [books](#) and other [publications](#) at a discount. They also have access to back issues of The Newsletter and The Signalling Record which are only available to members. These contain a wealth of information accumulated since 1970, much of which is not readily available anywhere else.

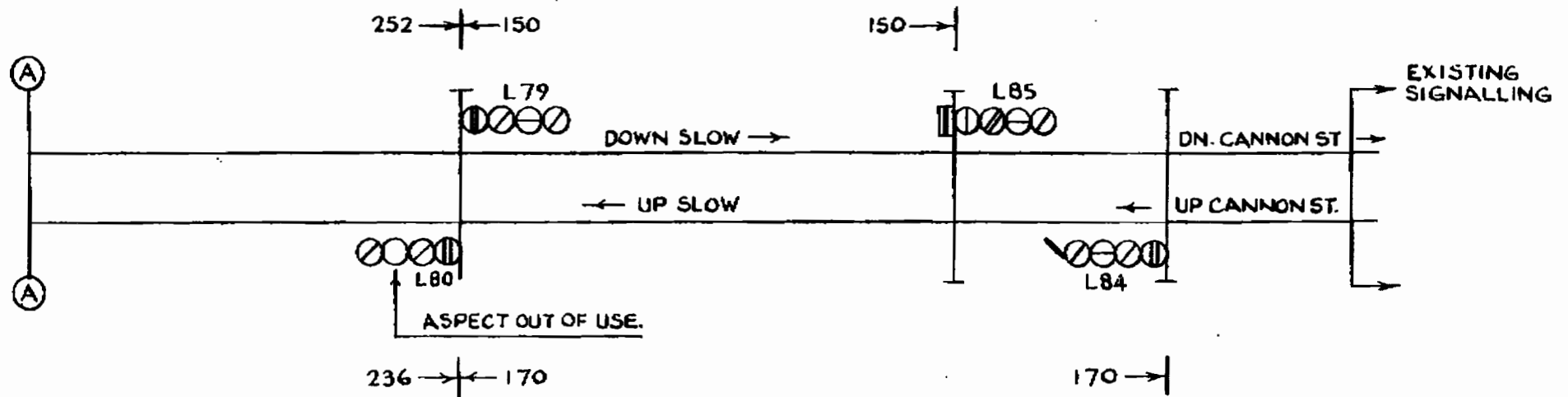
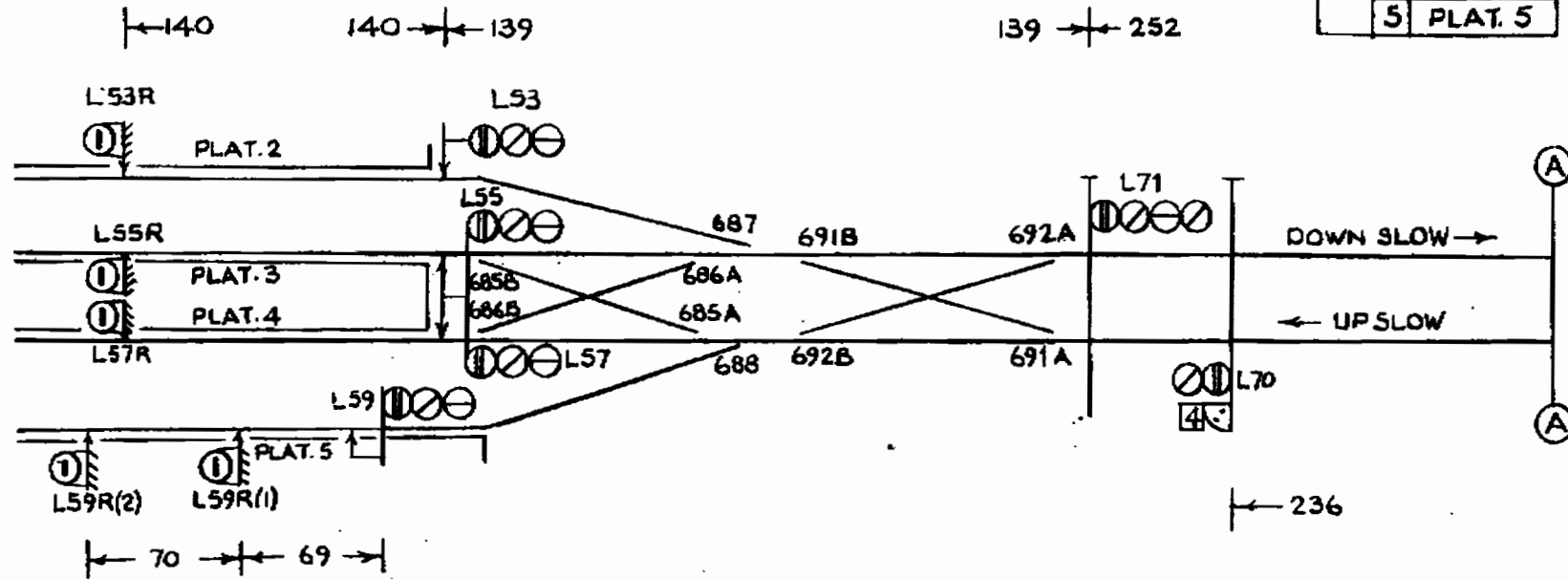
In addition, Members have the opportunity to join signalling related visits to locations on the UK national and London Underground systems; and to other UK Railways.

**To join the Signalling Record Society visit**

[www.s-r-s.org.uk/membform.html](http://www.s-r-s.org.uk/membform.html)

SIGNALLING INSTRUCTION No.6 - 1991  
 REF. R2028/7

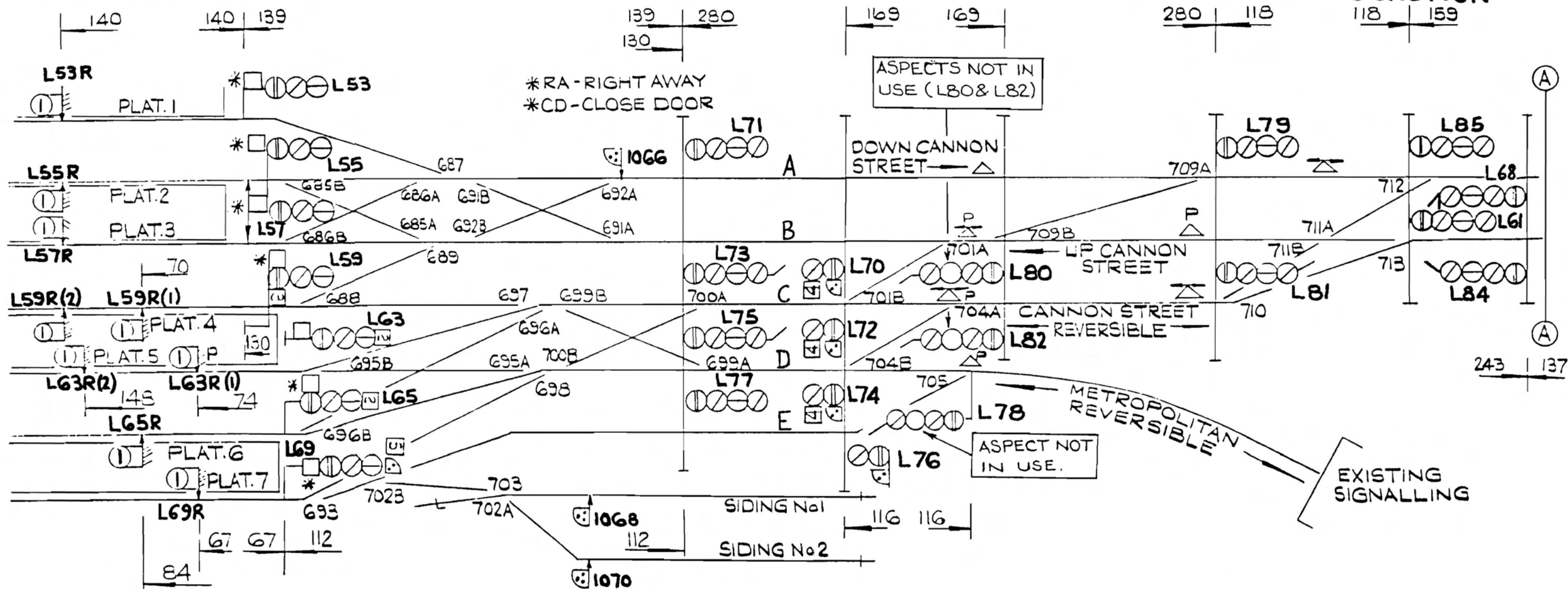
70	2	PLAT. 2
	3	PLAT. 3
	4	PLAT. 4
	5	PLAT. 5



ALL DISTANCES IN YARDS.

# BOROUGH MARKET JUNCTION

## CANNON STREET



## LONDON BRIDGE

