

Our Archive

The Archive contains a large collection of mainly original material relating to railway signalling, including signalling plans, rule books, sectional appendices, diagrams and special instructions for individual signal boxes, weekly and periodic operating notices, signalling notices, accident reports and many other items.

Facilities

The Study Centre comprises an area for visitors, with chairs and tables large enough to spread out signalling plans. There is ready access to all documents and the archivist and other experienced users will be happy to advise new users and help them find what they require.

Toilets and kitchen facilities are available; we can normally supply hot and cold drinks for visitors, but please bring your own food as there are no shops within easy reach.

Access

Public open days are held regularly. Dates are advertised well in advance on the SRS website at www.s-r-s.org.uk/calendar.php. Visits may be arranged at other times, on any day of the week; please contact the Archivist by email at archive@s-r-s.org.uk in the first instance.

www.s-r-s.org.uk/join

Getting To The Archive

Location

The Archive is at Unit 6A, Princes Drive Industrial Estate, Kenilworth CV8 2FD.

Travel by rail and bus. Stagecoach bus service X17 runs every 15 minutes (Mon – Sat) and passes both Coventry and Leamington Spa railway stations; it runs along Coventry Road, Kenilworth and stops at Woodland Road within a few minutes walk of the Study Centre. Bus U17 (every 20 minutes) provides similar facilities on Sundays. Unfortunately the newly-reopened Kenilworth station is not conveniently located for the Study Centre.



Travel by car. The Archive is off the A429 within 10 minutes drive of the A46, the junction is signposted to Kenilworth Industrial Park. Parking on the industrial estate is readily available and free.

Membership Information

If you like what we have to offer, why not become a member and share your interests with your fellow signalling enthusiasts....

Join us today! Apply at

www.s-r-s.org.uk/join

SIGNALLING RECORD SOCIETY

Archive Information



To find out what the archive has to offer

Step inside! >>>

SRS

A Charitable Incorporated Organisation (CIO) registered in England & Wales.

Registered Charity Number 1176506

www.s-r-s.org.uk

SIGNALLING RECORD SOCIETY

About the Archive

The SRS archive is housed at the LNWR Society's Archive and Study Centre in Kenilworth, Warwickshire. It is available for regular use by members of both societies and by the general public.

It contains a large collection of mainly original material relating to railway signalling, including rule books, sectional appendices, diagrams and special instructions for individual signal boxes; weekly and periodic operating notices, signalling notices, accident reports and many other items. All parts of the United Kingdom and Ireland are represented.

Index

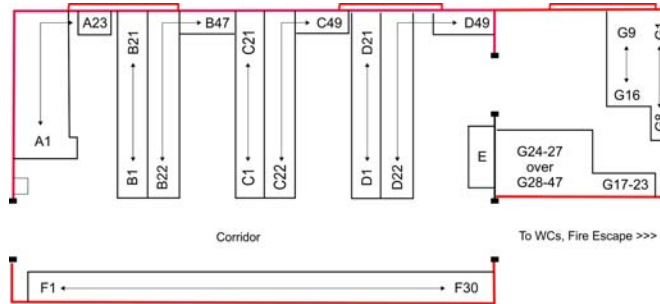
This material is mainly organised in boxes, over 450 of them at the time of writing, with certain items kept on open shelves or in one of two plan chests. Each box or equivalent is listed with its shelf location at www.s-r-s.org.uk/archiveindex.php. Paper copies of the catalogue are available for consultation at the archive.

In most cases links from this list lead to detailed catalogues of the contents of each box, including lists of the specific signal boxes covered and the dates (where known) of the items we have. In a few cases catalogues have been published in hard copy - see www.s-r-s.org.uk/sales.php for further details and to purchase copies.

Mobility Impaired Access

The building is accessed via short flight of steps and a handrail is provided here and in one of the toilets.

Floor Plan



Storage Area



Sample Content



Study Area

The study area has tables where documents and plans can be spread out for inspection together with seating. Documents may be photographed, photocopied or scanned for personal use.



Digital Archive

The Society has an expanding digital archive which is separately indexed on the Society web site - see www.s-r-s.org.uk/archives.php for details.