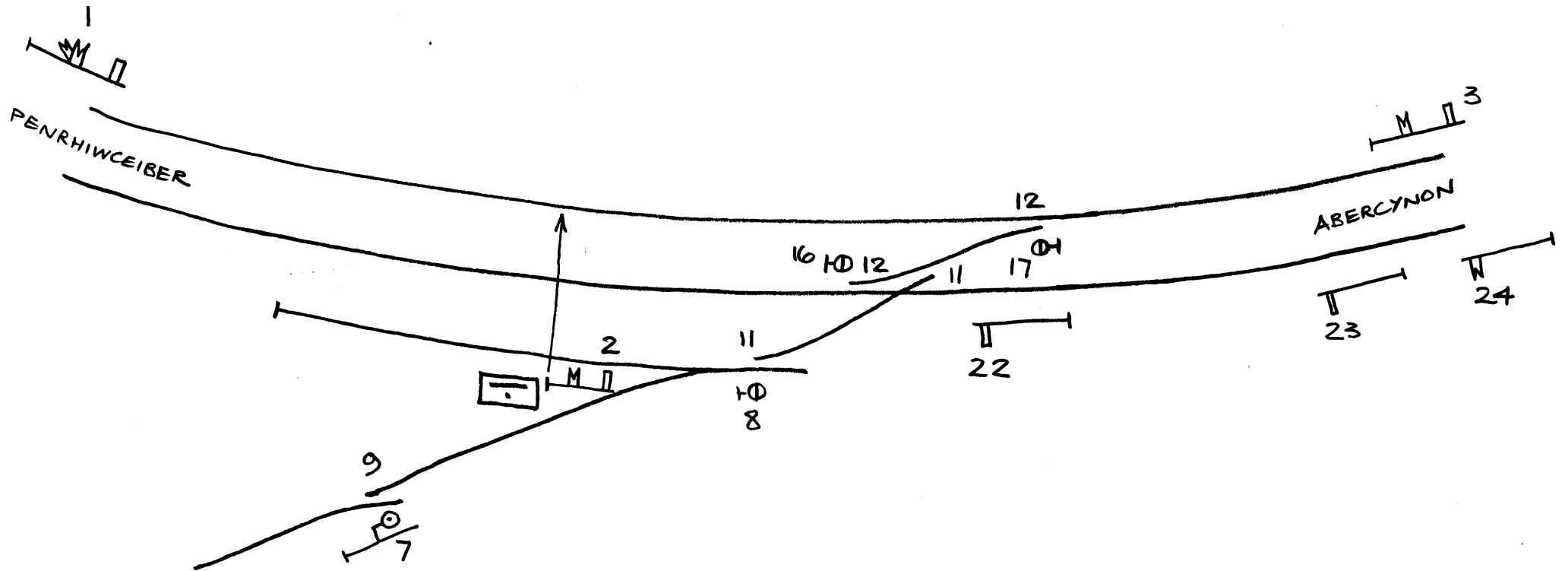


PENRHIWCEIBER LOWER

1934

SPARES 4. 5. 6. 10. 13. 14. 15. 19. 20. 21. 18



BOX OPENED 1916

SOURCE: LOCKING SKETCH (P.R.O RAIL 282/829)